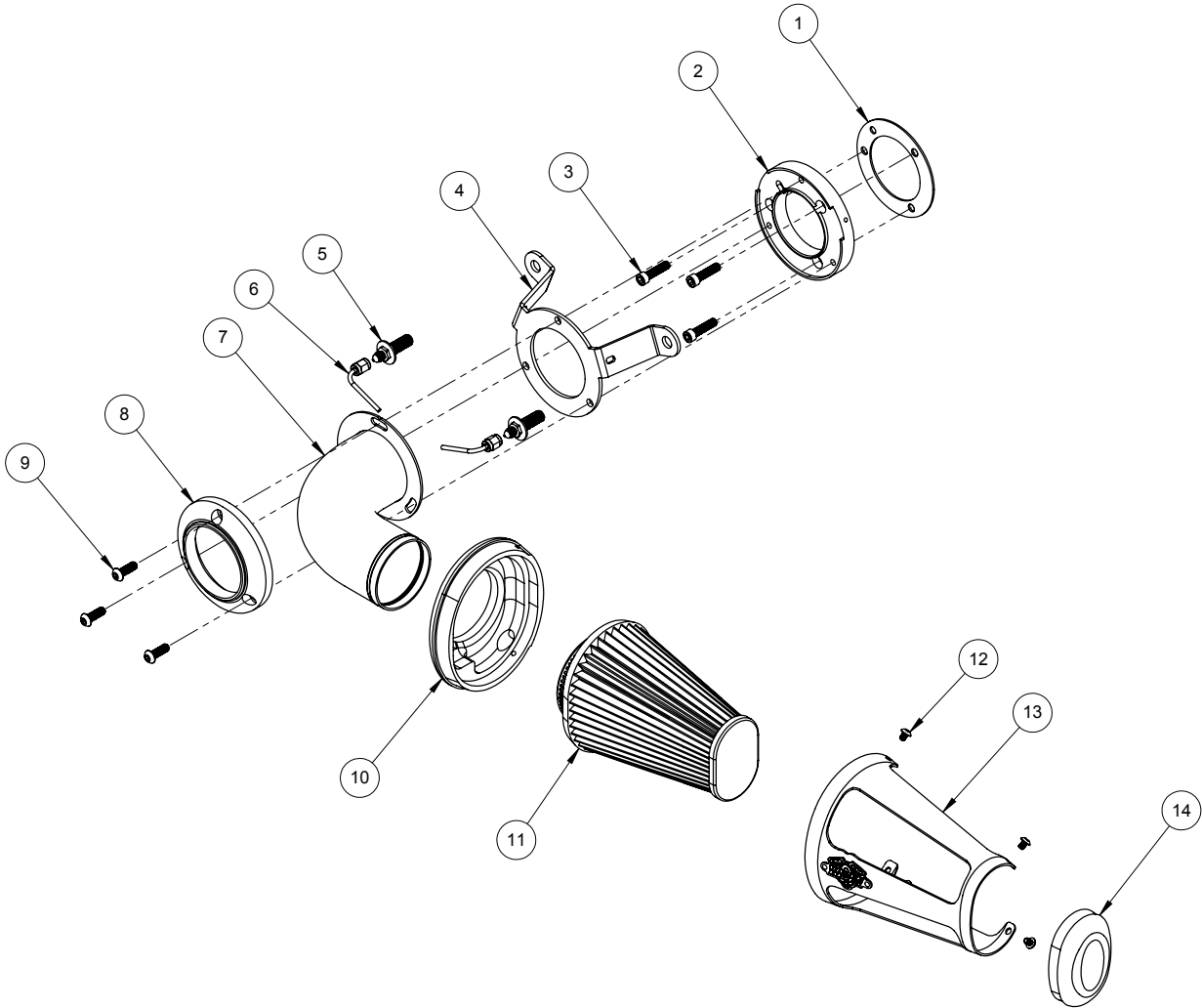


Congratulations, you have purchased the finest air intake system for your motorcycle on the market. Your Vance & Hines Air Intake system is designed and crafted for maximum performance and a perfect fit. Please follow the installation instructions below and if you have any questions, please call our technical support line at (562) 926-5291.

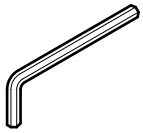


PARTS LIST

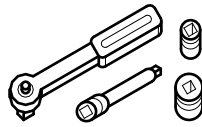
NO.	Description	Qty.
1	Throttle Body Gasket	1
2	Mounting Spacer	1
3	1/4-20 x 7/8 IN. SHCS	3
4	Backing Plate	1
5	Breather Bolt	2
6	Breather Tube	2
7	90 Deg. Ø2.5 Tube	1

8	Front Flange Cover	1
9	1/4-20 x 3/4 IN. BHCS	3
10	Rear Filter Cover	1
11	Air Filter & Hose Clamp	1
12	10-24 x 1/4 IN. BHCS	4
13	Filter Cage	1
14	Front Filter Cover	1

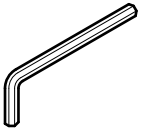
TOOLS REQUIRED



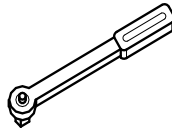
T27 Torx wrench



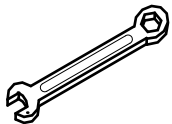
1/4" or 3/8" Drive Ratchet
7/16" Hex Socket, 5/16", 5/32"
Allen Socket



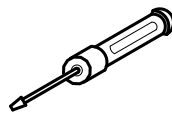
Allen Wrenches: 1/8",
5/32", 3/16", 5/16"



Inch-pound Torque
wrench



Combination Wrench:
3/8", 7/16"



Flat Blade Screwdriver

Masking Tape

Ruler/Tape Measure

Loctite 243 (Blue)

OEM SYSTEM REMOVAL

1. Take off the air filter cover by removing the 5/16"-18 x 1/2" OE button head cap screw in the center.
2. This will expose the filter element, which is then removed by taking out the three Torx head cap screws.
3. Remove the breather hoses from the cylinder head breather bolts by pulling on them.
4. Remove the three bolts that secure the backing plate to the carburetor / throttle body and the two breather bolts that secure it to the cylinder heads.
5. Now remove the backing plate and gasket, on FI models the wiring mount clip should be carefully pulled out of the plastic housing. **NOTE:** Be sure that the gasket surface is clean, dry, and has no gasket material remains stuck to it.

AIR INTAKE KIT INSTALLATION

1. **For a clear understanding of this installation it is best to refer to the exploded view diagram while reading these instructions.**
2. Align and install the mounting spacer(#2) and throttle body gasket(#1) onto the throttle body with the three 1/4-20 x 7/8" SHCS(#3) tightening to 55-60 In-Lbs (6.2-6.8 Nm). Apply Loctite 243 (Blue) to the threads of the fasteners.
3. **CAUTION!**: Wrap the 90 degree tube with masking tape to prevent any surface scratches. See **Figure 1**.
4. Slide the front flange cover(#8) over the 90 degree tube(#7). Be careful not to scratch the tube while the cover sweeps along the pipe. See **Figure 2**.
5. Attach the filter cage(#13) to the front filter cover(#14) with two 10-24 x 1/4 BHCS(#12). Tighten the screws to 17.1-22.8 In-Lbs. (1.9-2.6 Nm.) See **Figure 3**.
6. Next, slip the filter cage over the air filter and attach the filter cage to the rear filter cover with two 10-24 x 1/4 in BHCS. (#12). Align the hose clamp so that it is towards the bottom pocket of the rear cover and accessible when the cover is on. Tighten the screws to 17.1-22.8 In-Lbs (1.9-2.6 Nm.) See **Figure 4**.
7. Slide the air filter assembly onto the 90 degree elbow to the point of the masking tape. Do not fully tighten the hose clamp, so that it is adjustable when it is on the bike. **NOTE:** Do not go past the masking tape, to prevent the masking tape from being caught underneath the rear cover.
8. Using the three 1/4"-20 x 3/4" button head cap screws (#9) align the air filter assembly and the backing plate (#4) to the mounting spacer (#5) as shown. Make sure the components are aligned before tightening to 55-60 in-lbs (6.2-6.8 Nm). See **Figure 5**. **NOTE:** Align the rotation of the elbow before tightening down the screws.
9. Align the air filter assembly parallel with bike and securely tighten the hose clamp.
10. Install the breather bolts(#5) through the backing plate and into the cylinder heads. Tighten the breather bolts to 120-144 In-Lbs (13.6-16.3 Nm).
11. Install the breather tubes(#6) through the backing plate and into the mounting spacer. Attach and tighten the breather tubes to the breather bolts. See **Figure 6**.
12. Remove the masking tape from the 90 Degree elbow.
13. After 100 miles check to be sure that these bolts are still tight. Periodically ensure that these screws remain tight.

CHROME CARE

When installing the chrome intake, make sure your hands are clean and free of oil. After installation, thoroughly clean cover with a soft cloth and cleaning solvent that will leave no residue (chrome wax / polish, glass cleaner, alcohol, ammonia, etc.) before starting the motorcycle.

BLACK CARE

When installing the black intake, make sure your hands are clean and free of oil. After installation, thoroughly clean cover with warm soapy water and a clean soft cloth, taking care not to wet the filter element. Dry with clean towel to remove any residue before starting the motorcycle. Do NOT use anything abrasive to clean cover.

Figure 1

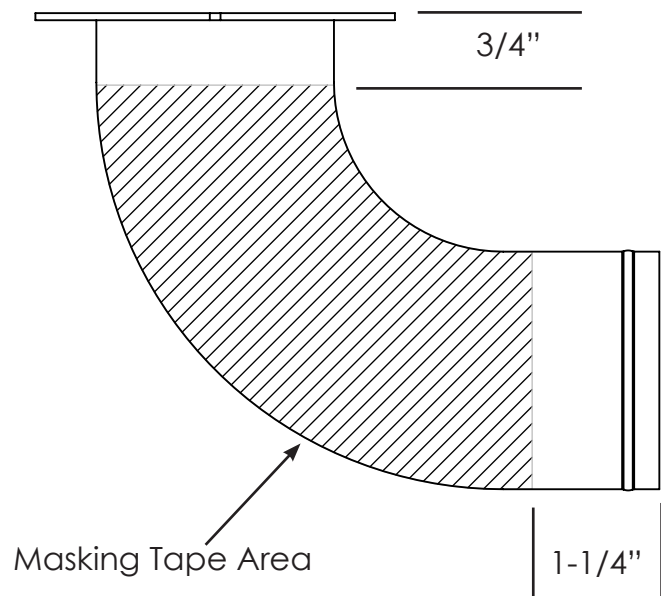
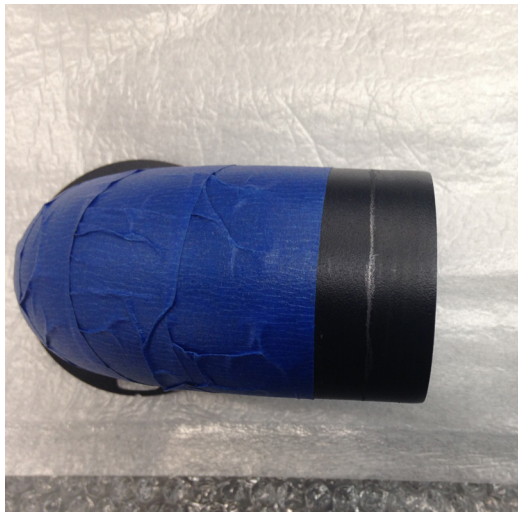


Figure 2

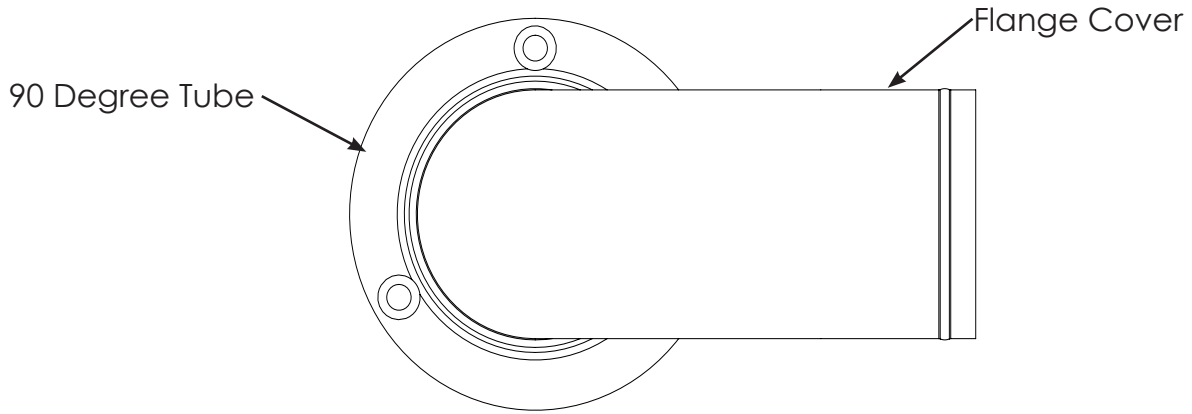


Figure 3

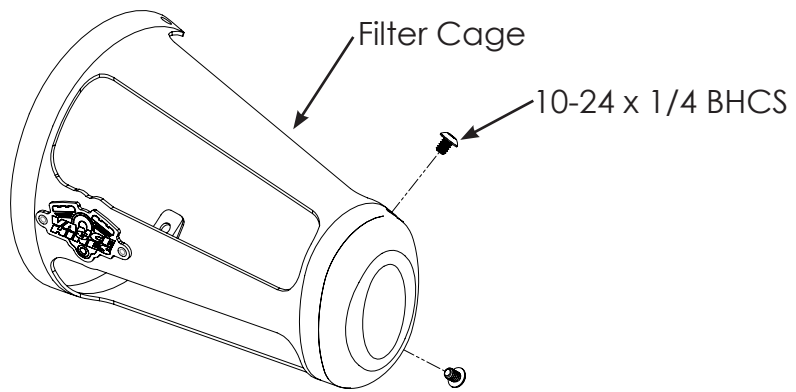


Figure 4

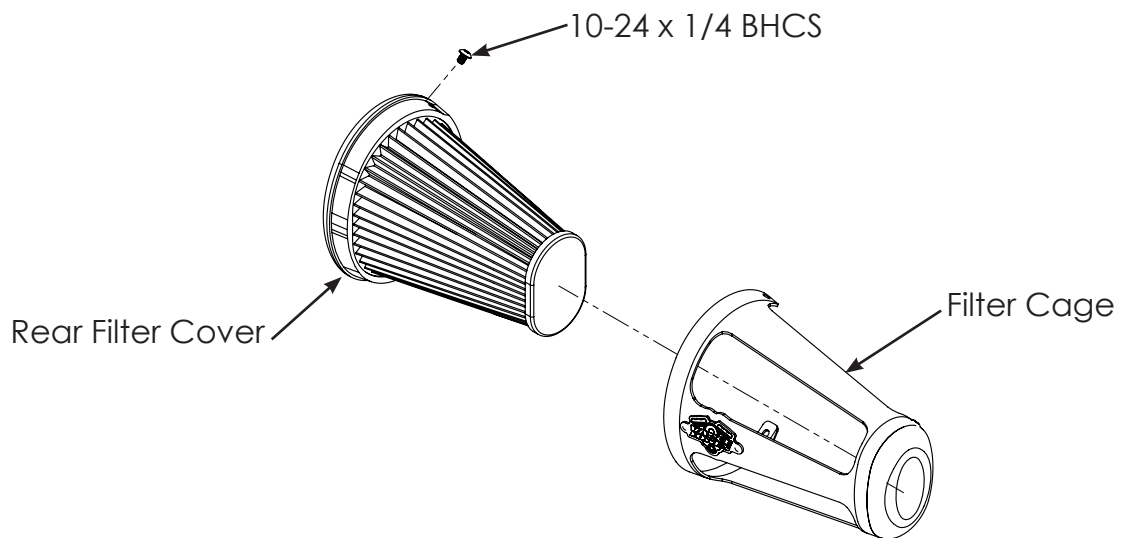


Figure 5

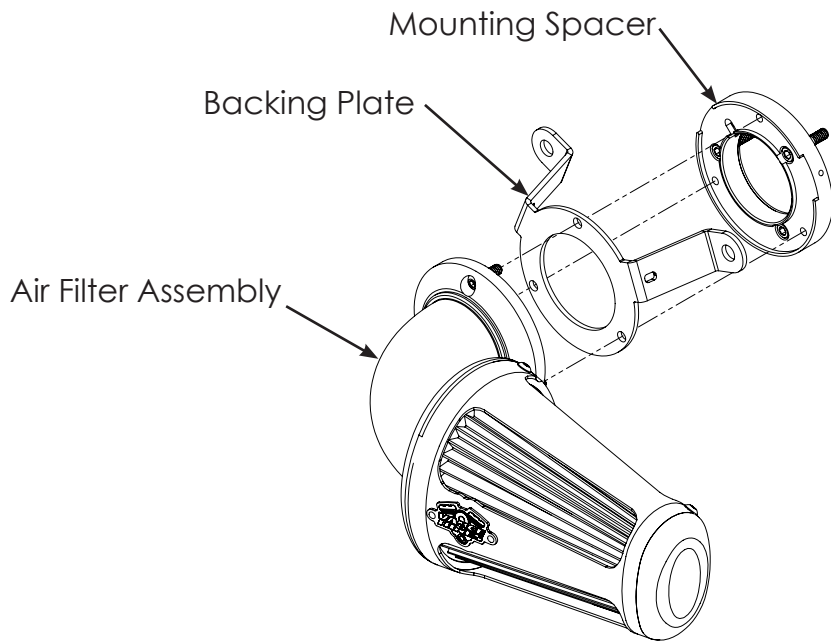
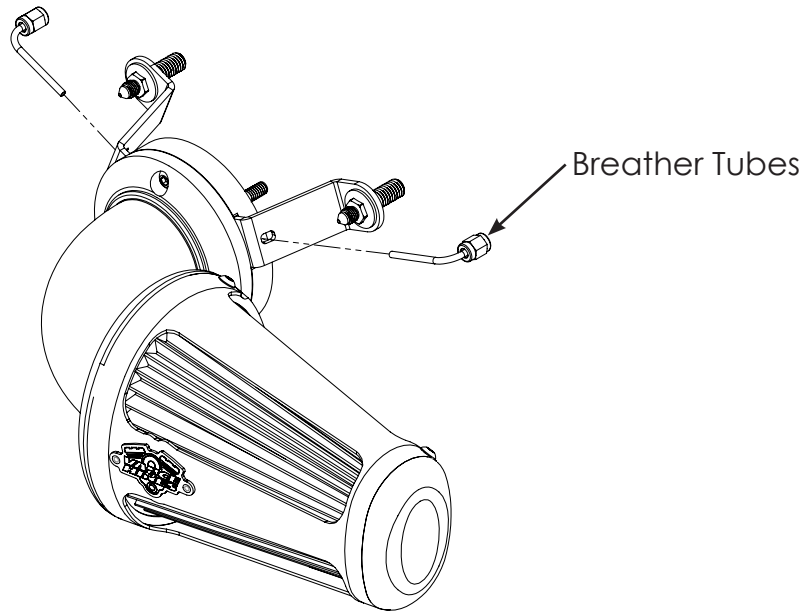


Figure 6



THE NEXT GENERATION OF FUEL MANAGEMENT IS HERE

The Fuelpak FP3 will revolutionize fuel management for all new Harley-Davidson models now using the HDLAN (CAN Bus) system. Connecting wirelessly by Bluetooth to iPhone or Android Smartphones, Fuelpak FP3 uses Flash technology to recalibrate engine parameters and mapping for Vance & Hines exhaust systems downloaded from the expansive library of calibrations developed by Vance & Hines.

- Smartphone App User Interface (iOS and Android)
- Recalibrates ECM by Flash Tuning
- Autotune Feature for Added Tuning Precision
- Displays Live Sensor Data
- App Links Direct to Customer Service Site

FITMENT NOTES:

- FUELPAK FP3 IS COMPATIBLE WITH CAN BUS MODELS ONLY (TOURING, SOFTAIL, DYNA & SPORTSTER)
- FUELPAK FP3 IS NOT COMPATIBLE WITH V-ROD MODELS.
- MAPS ARE CURRENTLY AVAILABLE FOR: SPORTSTER, DYNA, SOFTAIL, TOURING AND TRIKE MODELS.
- MAPS FOR 110CI CVO MODELS COMING SOON.

EMISSIONS NOTICE:

FUELPAK IS INTENDED FOR RACING USE ONLY, AND IS NOT LEGAL FOR SALE OR USE IN CALIFORNIA ON POLLUTION-CONTROLLED VEHICLES.



Emissions Notice:

In California, in order to meet Air Resources Board emissions requirements, certain aftermarket part applications have been identified as replacements, and others have received ARB Executive Orders. All other emissions related aftermarket parts are for competition use only. A list of replacement parts and EO parts, and corresponding fitment is provided at vanceandhines.com/california.

Warranty:

All Vance & Hines products are warranted against defects in material and workmanship for a period of 90 days. This warranty does not cover discoloration or rust. This warranty shall be limited to the repair or replacement of the product, which may be proven defective under normal use. Vance & Hines will not warranty any system that has been abused, misused, improperly installed or modified.

Dealers or distributors are not authorized to make dispositions binding upon Vance & Hines. Vance & Hines will not be responsible for any labor charges incurred in removing or replacing any system under warranty. A return authorization number and a copy of the original purchase invoice must accompany all returns. Parts returned without a return authorization may be refused.

13861 ROSECRANS AVENUE / SANTA FE SPRINGS, CA 90670
SALES: (562) 921-5388
TECHNICAL: (562) 926-5291
FAX: (562) 802-0110

vanceandhines
.com