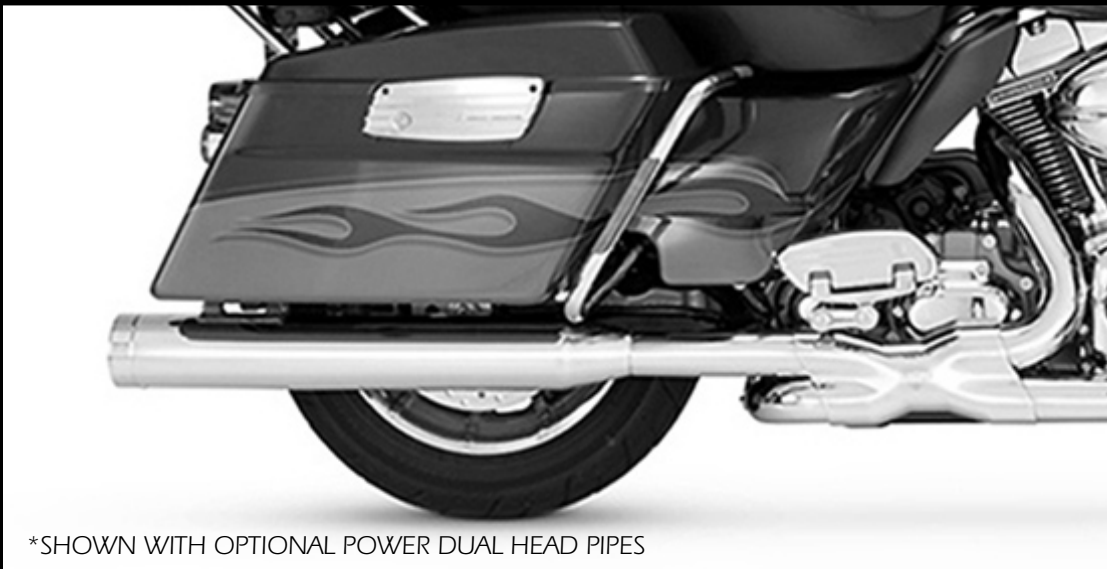


**HARLEY-DAVIDSON® TOURING MODEL
MONSTER ROUND CATALYTIC SLIP-ONS (FOR USE WITH VANCE & HINES HEAD PIPES)
INSTALLATION INSTRUCTIONS
PART# 16857 ARB EO NO. K-006-1**



MORE POWER : LESS NOISE

**STOCK EXHAUST
SYSTEM REMOVAL**

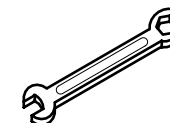


*SHOWN WITH OPTIONAL POWER DUAL HEAD PIPES

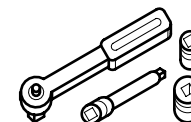
Congratulations, you have purchased the finest exhaust system for your motorcycle on the market. Your Vance & Hines exhaust system is designed and crafted for maximum performance, a perfect fit, a great sound and unbeatable style. Please follow the installation instructions below and if you have any questions, please call our technical support line at (562) 926-5291.

Attention installer (if other than owner), please forward this instruction sheet to the owner of this product. These instructions contain valuable information to the end user.

**TOOLS
REQUIRED**



1/2" & 9/16"
Wrenches



3/8" Drive
Ratchet w/
4" extension,
1/2" std & 9/16"
deep well sockets

READ ALL INSTRUCTIONS BEFORE BEGINNING INSTALLATION

1. Remove both saddlebags and set them aside.
2. Loosen the bolt from the pinch clamp on the front end of each muffler.
3. Working with one muffler at a time, support the muffler (assistance may be required) while removing the 5/16" bolts from the saddlebag support and slide muffler off of the head pipe.
4. Repeat the process for the opposite muffler. NOTE: It may be necessary to use a penetrating lubricant to loosen the muffler from the head pipe.

FIGURE 1

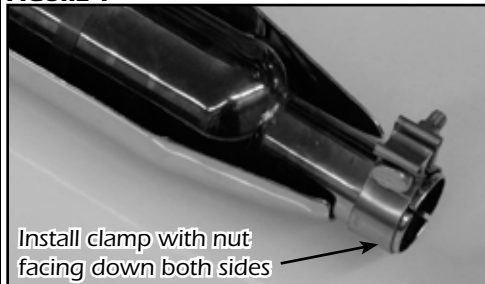
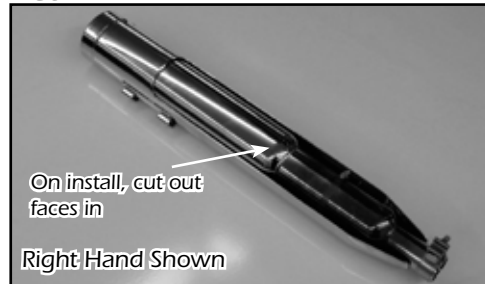


FIGURE 2



1. Install the band clamps (supplied) over the front of each muffler so that the bolt is to the inside and the nut is facing down (Figure 1). NOTE: New band clamps are supplied, do not use the old clamps.
2. There is a right and left muffler as determined by the cutout on the heatshield. Install with the cutout to the inside. (Figure 2)
2. Install muffler by sliding it on to the head pipe and bolting it to the saddlebag support using the stock 5/16" bolts.
3. Repeat installation procedure for opposite muffler.
4. Align mufflers and tighten hardware, beginning with the 5/16" bolts on the mounting brackets followed by the Torca band clamp. Torque spec. is 40-45 Ft./Lbs. NOTE: You may want to use an assistant at this time to visually check alignment while you tighten the hardware. Pay special attention to making sure the mufflers are even, when viewed from the back of the motorcycle.
5. Replace the saddlebags.
6. After installation and before starting motorcycle, clean pipes and mufflers with cleaning solvent and a clean soft cloth that will not leave a residue.

NOTE: Any residue, oil, or fingerprints will stain the chrome when the metal heats up.

EXHAUST CARE - HELPFUL HINTS TO AVOID DISCOLORATION OF EXHAUST SYSTEM

- | | |
|---|--|
| <ol style="list-style-type: none"> 1. When installing a new set of chrome pipes, make sure your hands are clean and free of oil. After installation, thoroughly clean pipes with a soft cloth and cleaning solvent that will leave no residue (chrome wax / polish, glass cleaner, alcohol, ammonia, etc...) before starting the motorcycle. | <ol style="list-style-type: none"> 2. Avoid long periods of idling as this can cause discoloration. 3. Intake leaks can cause the engine to run lean and overheat, this could lead to discoloration. 4. Make sure there are no exhaust leaks at the junction of the exhaust pipes and cylinder head. We recommend replacing gaskets if they are worn. |
|---|--|

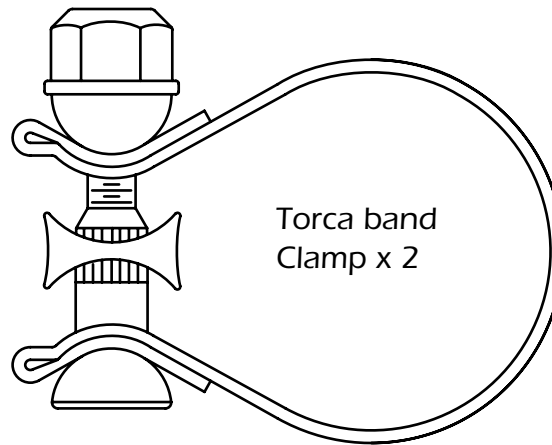
PLEASE NOTE: Every effort is made for Vance & Hines Exhaust Systems to provide improved cornering clearance. However, due to design and space limitations on some motorcycle models, ground and cornering clearance may not be improved and in some cases may be reduced. Be sure to follow proper installation instructions.



PACKING LIST

MORE POWER : LESS NOISE

ALL PARTS SHOWN ARE ACTUAL SIZE



PARTS NOT SHOWN:

- | | | |
|--------|--------------------|----|
| D255HC | Right hand muffler | x1 |
| D256HC | Left hand muffler | x1 |

WARRANTY

Vance & Hines exhaust systems are warranted against defects in material and workmanship for a period of 90 days from the date of purchase from an authorized dealer. This warranty does not cover discoloration of chrome finishes. This warranty is limited to the repair or replacement of a product proven to be defective from normal use. Vance & Hines exhaust systems are designed to fit and operate on OEM motor and chassis. This warranty does not cover any product subject to abuse, misuse, improper installation or modification.

EMISSIONS WARRANTY STATEMENT

Vance & Hines warrants each Catalytic Exhaust System is designed and manufactured to conform at the time of initial retail purchase with the applicable California Air Resources Board (ARB) regulations for Aftermarket Critical Emission Control Parts on Highway Motorcycles and is free from defects in materials and workmanship which would cause a motorcycle to fail to conform to those regulations for the following warranty periods (as applicable):

- (1) If the Catalytic Exhaust System system is installed on a highway motorcycle within four years of the date that the highway motorcycle is first acquired by an ultimate purchaser, the warranty period shall be 5 years or 30,000 km (18,641 miles), whichever first occurs, from the date of initial retail sale, or
- (2) If the Catalytic Exhaust System is installed on a highway motorcycle more than four years of the date that the highway motorcycle is first acquired by an ultimate purchaser, the warranty period will be three years or 15,000 km (9,320 miles), whichever first occurs, from the date of initial retail sale.

COVERAGE. The above described warranty periods apply only to emissions-related defects, such as the integrity of the catalytic converter. This warranty does not apply to cosmetic defects and does not apply to any defects resulting from situations described below under "LIMITATIONS." Catalytic Exhaust System with warranted defects shall be repaired or replaced by Vance & Hines, or by a dealer designated by Vance & Hines, at no cost to the owner. Vance & Hines will also be liable for damages to other motorcycle components proximately caused by a failure under warranty of the Catalytic Exhaust System

OWNER'S OBLIGATIONS. The following obligations must be fulfilled by the Catalytic Exhaust System owner to maintain the validity of the emission defects warranty:

- a. Owner is responsible for the performance of all emissions-related maintenance prescribed by the vehicle manufacturer. Vance & Hines recommends that you retain all receipts covering maintenance on your motorcycle related to any alleged defect, but Vance & Hines cannot deny warranty solely for the lack of receipts or for your failure to ensure the performance of all scheduled maintenance.
- b. Owner is responsible notifying Vance & Hines as soon as a problem exists. Owner may be required to have the motorcycle inspected by a dealer designated by Vance & Hines at the dealer's place of business during customary business hours. Catalytic Exhaust System with warranted defects will be repaired or replaced in a reasonable amount of time, not to exceed 30 days.
- c. Owner must present a copy of the proof of initial retail purchase date of both the Catalytic Exhaust System and motorcycle, issued at the time of purchase to Vance & Hines at the time warranty repairs or replacements are performed.

LIMITATIONS. This emission defects warranty shall not cover repair or replacement of the Catalytic Exhaust System required as a result of accident, misuse or neglect, repairs improperly performed, use of replacement parts or accessories not conforming to the motorcycle manufacturer's specifications which adversely affect performance and/or durability, alterations or modifications not recommended by the motorcycle manufacturer or Vance & Hines, and/or any motorcycle on which odometer mileage has been changed so that the actual mileage cannot be determined.

LIMITED LIABILITY. The liability of Vance & Hines under this emission defects warranty is limited solely to the remedying of defects in materials or workmanship of the Catalytic Exhaust System by Vance & Hines or a third party approved by Vance & Hines at that party's place of business during customary business hours. This warranty does not cover inconvenience or loss of use of the motorcycle, or transportation the Catalytic Exhaust System or the motorcycle on which the system is installed to Vance & Hines or a third party approved by Vance & Hines.

If you have any questions regarding your warranty rights and responsibilities, you should contact Vance & Hines at info@vanceandhines.com or (562) 921-7461.

NOTICE TO INSTALLER

The California Evaluation Procedures for Aftermarket Critical Emission Control Parts on Highway Motorcycles require that installers of aftermarket critical emissions control parts, such as the Vance & Hines Catalytic Exhaust System, warrant that such parts are installed correctly in accordance with the instructions set forth in this document, and that the installation will not cause the failure of the part to conform to the applicable requirements of the procedures or cause damage to any original part on the highway motorcycle due to incorrect installation. The installation warranty shall be 2 years or 12,000 kilometers (7,456 miles) from the date of the installation of the aftermarket critical emissions control part, whichever occurs first.

Installers and retailers of aftermarket critical emissions control parts, such as Vance & Hines Catalytic Exhaust System, keep documentation regarding the sale and/or installation of such parts, including part number/model, date of sale and/or installation, purchaser name and address, vehicle make, model and vehicle identification number. All such documentation must be maintained for a period of 5 years from the date of sale or installation and be made available upon request by California Air Resources Board staff.

INSTALLER WARRANTY

Installer warrants that this Vance & Hines Catalytic Exhaust System has been installed correctly, in accordance with the manufacturer's specified instructions, and that the installation will not cause failure of the Monster Round Catalytic Slip-ons and Head Pipes to conform to the applicable requirements of the California Evaluation Procedures for Aftermarket Critical Emission Control Parts on Highway Motorcycles or cause damage to any original part on the highway motorcycle due to incorrect installation. This installation warranty shall be for two years or 12,000 kilometers (7,456 miles) from the date of the installation of the Catalytic Exhaust System, whichever occurs first.

COVERAGE. The above described installer's warranty periods apply only to installation-related defects, and not to the function or integrity of the catalytic converter, which is warranted by Vance & Hines. This installer's warranty does not apply to cosmetic defects and does not apply to any defects resulting from situations described below under "LIMITATIONS." Catalytic Exhaust System with warranted defects shall be repaired or replaced by Vance & Hines, or by a dealer designated by Vance & Hines, at no cost to the owner. Vance & Hines will also be liable for damages to other motorcycle components proximately caused by a failure under warranty of the Catalytic Exhaust System.

LIMITATIONS. Installer's warranty shall not cover repair or replacement of the Catalytic Exhaust System required as a result of accident, misuse or neglect, repairs improperly performed by someone other than installer, use of replacement parts or accessories not conforming to the motorcycle manufacturer's specifications which adversely affect performance and/or durability, alterations or modifications not recommended by the motorcycle manufacturer or Vance & Hines, and/or any motorcycle on which odometer mileage has been changed so that the actual mileage cannot be determined.