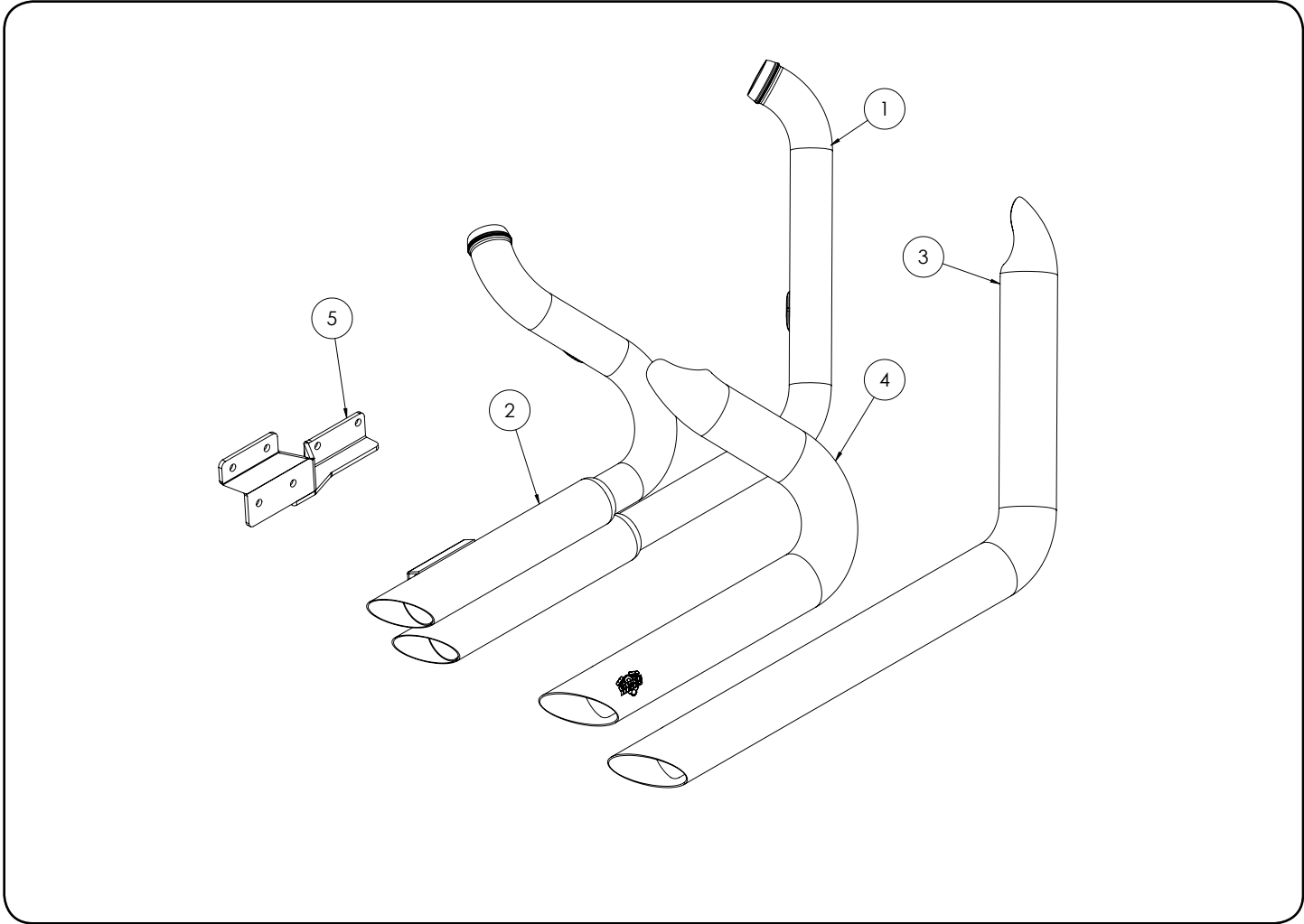


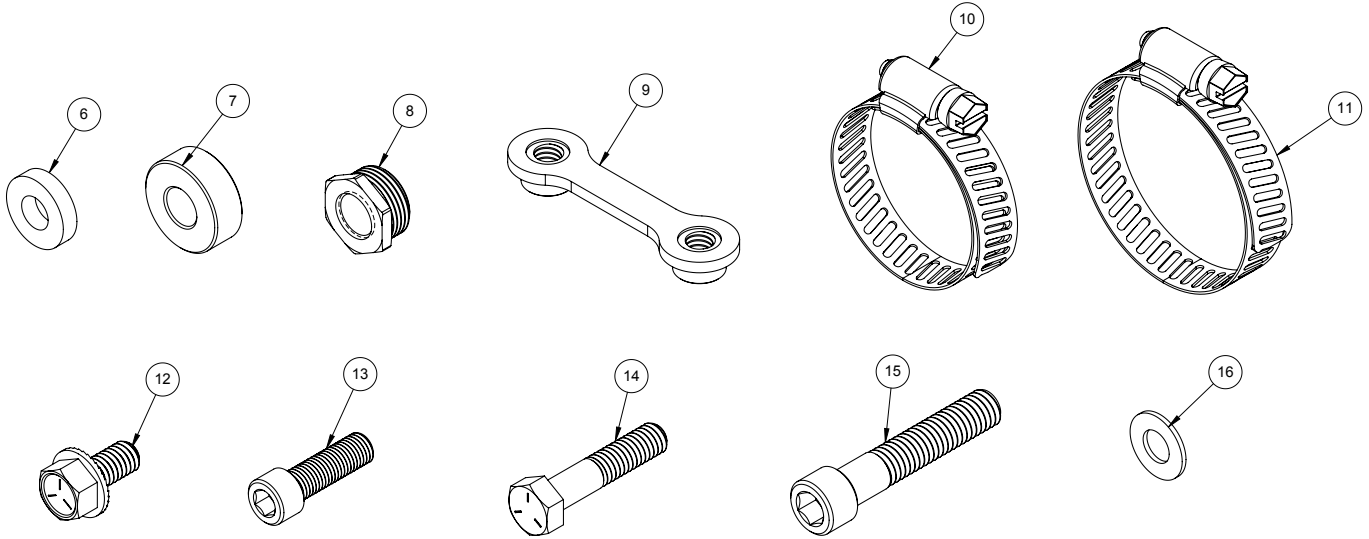
Congratulations, you have purchased the finest exhaust system available for your motorcycle. Your Vance & Hines exhaust is designed and crafted for performance, quality, and style. Please follow the instructions below, check exhaust system for missing or damaged parts and if you need any assistance please contact our technical support line (562) 921-7461.



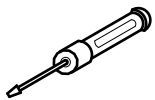
PARTS LIST

NO.	PART NO.	Description	Qty.				
1	D1100FC	Front Head Pipe	1	10	A270HW	Hose Clamp #20	2
2	D1101FC	Rear Head Pipe	1	11	A272HW	Hose Clamp #22	5
3	D1100HC/D1300HP	Front Heat Shield	1	12	A240HW	5/16-18 x 5/8" FHS	4
4	D1101HC/D1301HP-S	Rear Heat Shield	1	13	A740HW	5/16-24 x 1" SHCS	1
5	1135-P	Mounting Bracket	1	14	A345HW	5/16-18 x 1 1/2" Screw	2
6	A752HW-P	Brake rod washer	1	15	A113HW	3/8-16 x 2" SHCS	2
7	A735ST-P	Mid control spacer	2	16	A107HW	5/16 Washer	2
8	A644ST	18-12mm Adapter	2				
9	A195HW	Nut Plate	2				

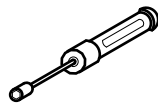
HARDWARE



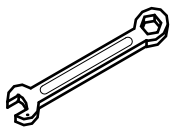
TOOLS REQUIRED



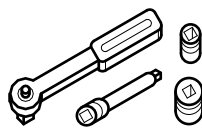
Flat Head Screwdriver



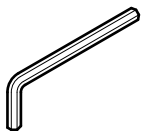
5/16 Nut Driver



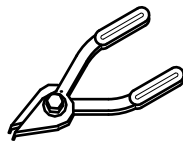
Combination Wrench:
1/2", 9/16", 14mm,
19mm



**3/8" Drive Ratchet w/ 4"
extension 1/2", 9/16" Deep
Socket, 1/4" Allen Socket,
19mm Socket**



**Allen Wrenches: 1/4",
5/32", 3/16", 5/16"
Torx: T45**



Snap Ring Pliers

STOCK EXHAUST SYSTEM REMOVAL

- 1.** Locate the rear O2 sensor connector. Remove the two bolts holding the right side cover in place and gently pull cover off bike. NOTE: Pay attention to the wire routing for re-installation.
- 2.** Locate the front O2 sensor connector. Unplug the sensor and feed the end of the wire through the frame, freeing it from the motorcycle.
- 3.** On Floor board models, loosen the right-hand floor board mounting bolts to gain clearance for the exhaust removal and installation.
- 4.** On Mid Mount models remove the forward brake rod bolt and remove the mid mount foot peg bracket.
- 5.** Loosen the heat shield clamps on both the front and rear exhaust pipes.
- 6.** Remove the two mounting nuts from each head pipe, located at the cylinder head.
- 7.** Remove the bolts attaching the mufflers to the mounting bracket.
- 8.** Remove the entire exhaust system and set it aside.
- 9.** Remove the stock mounting bracket.
- 10.** Carefully remove the exhaust port flanges and circlips from the stock exhaust system using the snap ring pliers. NOTE: Replace bent or damaged circlips.
- 11.** Carefully remove the O2 sensors from the stock head pipes and save for re-use with the new system.
- 12.** Check the condition of the exhaust gasket and replace if worn or damaged. Harley-Davidson part number 65324-83B.

VANCE & HINES EXHAUST INSTALLATION

NOTE: Use appropriate Harley-Davidson service manual procedures when referring to exhaust installation.

1. Remove the bottom two bolts from the transmission cover. Position the mounting bracket 1135-P over the mounting location to determine which bolts to remove.
2. Attach the mounting bracket 1135-P to the transmission using the supplied bolts and washers. Tighten to 22-25 ft-lbs.
3. Remove head pipes and heat shields from their protective packaging. Place each heat shield on a non-abrasive surface such as a blanket or carpet. For chrome, use a felt tip pen and for black systems, use a pencil. Lightly mark the outside edge of each heat shield to show location of mounting clips where hose clamps will loop through. NOTE: Pencil marks can be erased if care is taken not to harm coating.
4. Lay the head pipes into heat shields and loosely install hose clamps by feeding tail end of the hose clamps into heat shield clips. Take note of screw head direction. **Figure 2.** Screw heads should be accessible when system is installed on motorcycle for adjustment purposes. NOTE: Do not tighten at this time.
5. Install circlips and flanges from the stock system onto both the new head pipes.
6. Apply a small amount of anti-seize compound to the threads of the O2 sensors and install them into the new head pipe. Install supplied 18mm to 12mm oxygen sensor adapter then install 12mm oxygen sensors.
7. Install the front header assembly into the front exhaust port first. Use the stock flange nuts, do not tighten at this time. Using the supplied 5/16-18 x 5/8" flange bolts and nut plate, bolt the header to the muffler bracket. Leave them loose at this time.
8. Install the rear header assembly into the exhaust port. Use the stock flange nut, do not tighten at this time. Using the supplied 5/16-18 x 5/8" flange bolts and nut plate, bolt the header to the muffler bracket. Leave them loose at this time.
9. Tighten cylinder port exhaust flange nuts on front and rear cylinders while making sure pipes are parallel.
10. Tighten all heat shield clamps. NOTE: Muffler bodies should protrude from heat shields by an equal amount on both pipes. **Figure 4.**
11. Route O2 sensor wires away from hot areas of the motorcycle. Plug the O2 sensor wires back into the wiring.
12. On floor board models, re-install and tighten the floor board mounting bolts.
13. On mid mount models re-install mid mount foot peg bracket with spacers and new hardware.
14. Re-install forward brake rod with spacer between brake rod and brake pedal support.
15. For models with passenger foot peg attached to the stock exhaust bracket, remove the upper plug on the frame and re-install the left and right side passenger foot pegs into the upper mounting holes. **Figure 5.**
16. Be sure to tighten all hardware before starting motorcycle. After installation and before starting the motorcycle, completely clean pipes and mufflers with soap and water and a clean soft cloth. NOTE: Any residue, oil, or fingerprints will stain the chrome when the metal heats up.

FIGURE 1

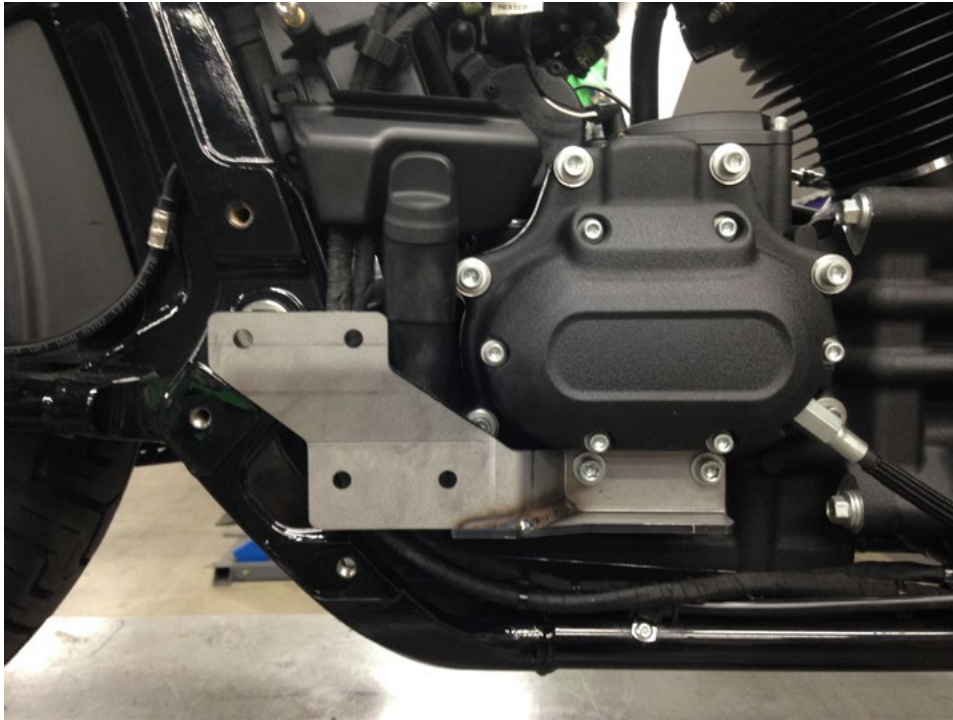


FIGURE 2

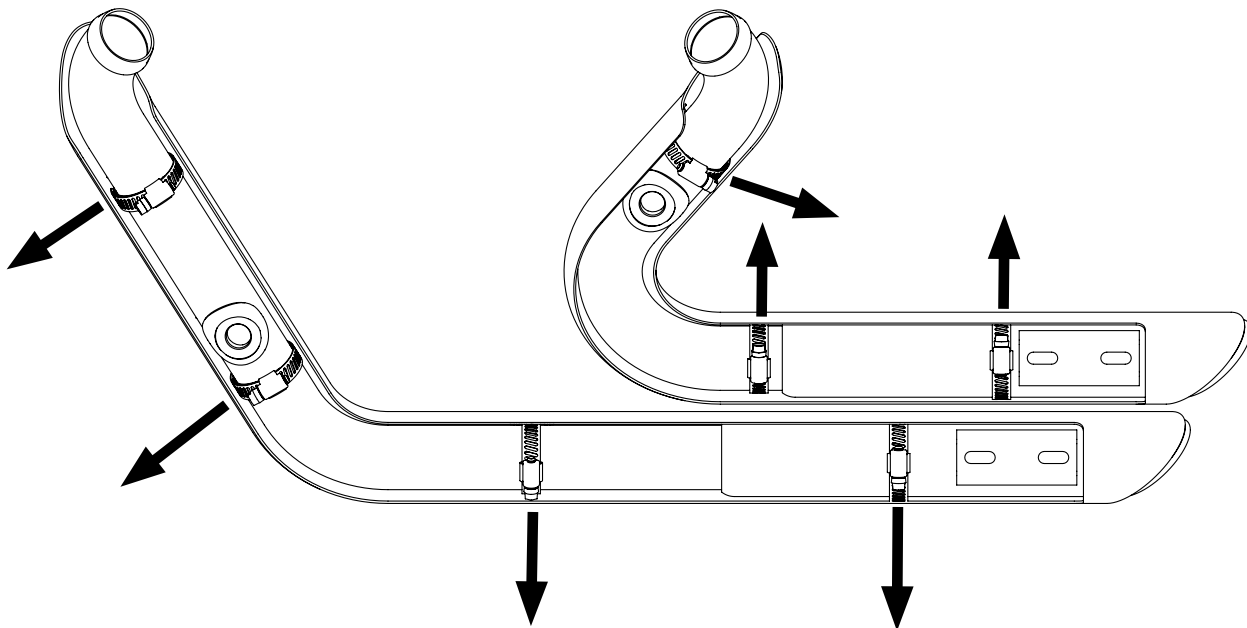
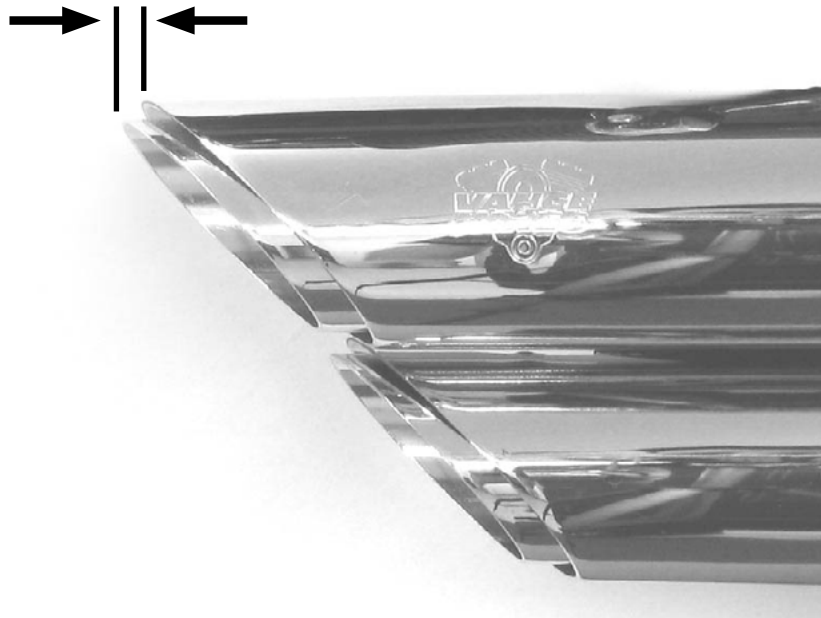


FIGURE 3



Install nut plate

FIGURE 4



Muffler protrudes an equal amount on both pipes

FIGURE 5



Emissions Notice:

In California, in order to meet Air Resources Board emissions requirements, certain aftermarket part applications have been identified as replacements, and others have received ARB Executive Orders. All other emissions related aftermarket parts are for competition use only. A list of replacement parts and EO parts, and corresponding fitment is provided at vanceandhines.com/California.

Warranty:

All Vance & Hines products are warranted against defects in material and workmanship for a period of 90 days. This warranty does not cover discoloration or rust. This warranty shall be limited to the repair or replacement of the product, which may be proven defective under normal use. Vance & Hines will not warranty any system that has been abused, misused, improperly installed or modified.

Dealers or distributors are not authorized to make dispositions binding upon Vance & Hines. Vance & Hines will not be responsible for any labor charges incurred in removing or replacing any system under warranty. A return authorization number and a copy of the original purchase invoice must accompany all returns. Parts returned without a return authorization may be refused.

13861 ROSECRANS AVENUE / SANTA FE SPRINGS, CA 90670
SALES: (562) 921-5388
TECHNICAL: (562) 926-5291
FAX: (562) 802-0110

vanceandhines
.com