

**MORE POWER : LESS NOISE**



Congratulations, you have purchased the finest air intake system for your motorcycle on the market. Your Vance & Hines Air Intake system is designed and crafted for maximum performance and a perfect fit. Please follow the installation instructions below and if you have any questions, please call our technical support line at (562) 926-5291.

Attention installer (if other than owner), please forward this instruction sheet to the owner of this product. These instructions contain valuable information to end user.

This kit fits 2008-later Dyna models.

**TOOLS REQUIRED**

- 3/16" Allen wrench
- 5/32" Allen wrench
- 1/4" or 3/8" drive Ratchet
- 7/16" Hex socket
- 5/16" Allen socket
- 5/32" Allen socket
- Inch-pound Torque wrench
- Loctite 243 (blue)

**READ ALL INSTRUCTIONS BEFORE BEGINNING INSTALLATION**

**OEM SYSTEM REMOVAL**

1. Take off the air filter cover by removing the 5/16"-18 x 1/2" OE button head cap screw in the center. Set the air filter cover and the screw aside for re-use.
2. This will expose the filter element, which is then removed by taking out the three button head screws.
3. Remove the breather hoses from the cylinder head breather bolts by gently pulling on them.
4. Remove the two breather bolts that secure the backing plate to the cylinder heads
5. Now remove the backing plate and gasket, the wiring mount clip should be carefully pulled out of the plastic housing. NOTE: Be sure that the gasket surface is clean and dry and that no gasket material remains stuck to it.

**INSTALLATION OF VOZ AIR FILTER KIT**

1. For a clear understanding of this installation it is best to refer to the exploded view diagram while reading these instructions.
2. When installing or servicing the air cleaner, apply Loctite 243 (blue) to threads of all fasteners.
3. Loosely install the carburetor / throttle body mount bracket (12) and gasket (7) using the two cylinder head breather bolts (4) and breather bolt O-rings (6). NOTE: Make sure the gasket is installed with the correct rotation and right side up with the slightly smaller bleed hole in the top left hand corner. Tighten the cylinder head breather bolts (4) to 120-144 in-lbs (13.6-16.3 Nm) being careful not to pinch the breather bolt O-rings (6).
4. Install the rear and front breather hoses (2 & 3) through the top two holes in the filter backing plate (11), aligned as shown.
5. Using the three 1/4"-20 x 2-1/4" socket head cap screws (9) sandwich the filter mount bracket (10), the venturi (8) the filter backing plate w/ breather hoses (11) and install onto the throttle body. The slightly smaller bleed hole should be in the top left hand corner of the backing plate (11) and should line up with the bleed hole of the gasket (7), mounting bracket (12) and venturi (8). Make sure the inside edges of all of these parts are aligned before tightening to 55-60 in-lbs (6.2-6.8 Nm). NOTE: On fuel injected models a mount tab on the carburetor / throttle body mount bracket (12) is supplied to mount the stock wiring mount clip.

6. Using the remaining three 1/4"-20 x 1/2" button head cap screws (5) install the air filter element (1) and torque to 55-60 in-lbs (6.2-6.8 Nm). NOTE: The Vance & Hines logo should be at approximately three o'clock when viewed from the side. The filter is pre-oiled and does not need to be oiled prior to installation.
7. Feed the 5/16"-18 x 1/2" OE button head cap screw through the OE Air cover and into the center of the air filter element (1), tighten securely.
8. After 100 miles check to be sure that all bolts are still tight. Periodically ensure that these fasteners remain tight.

**VANCE & HINES OPTIONAL ACCESSORIES**

**FUELPAK**



**FUEL MANAGEMENT:**

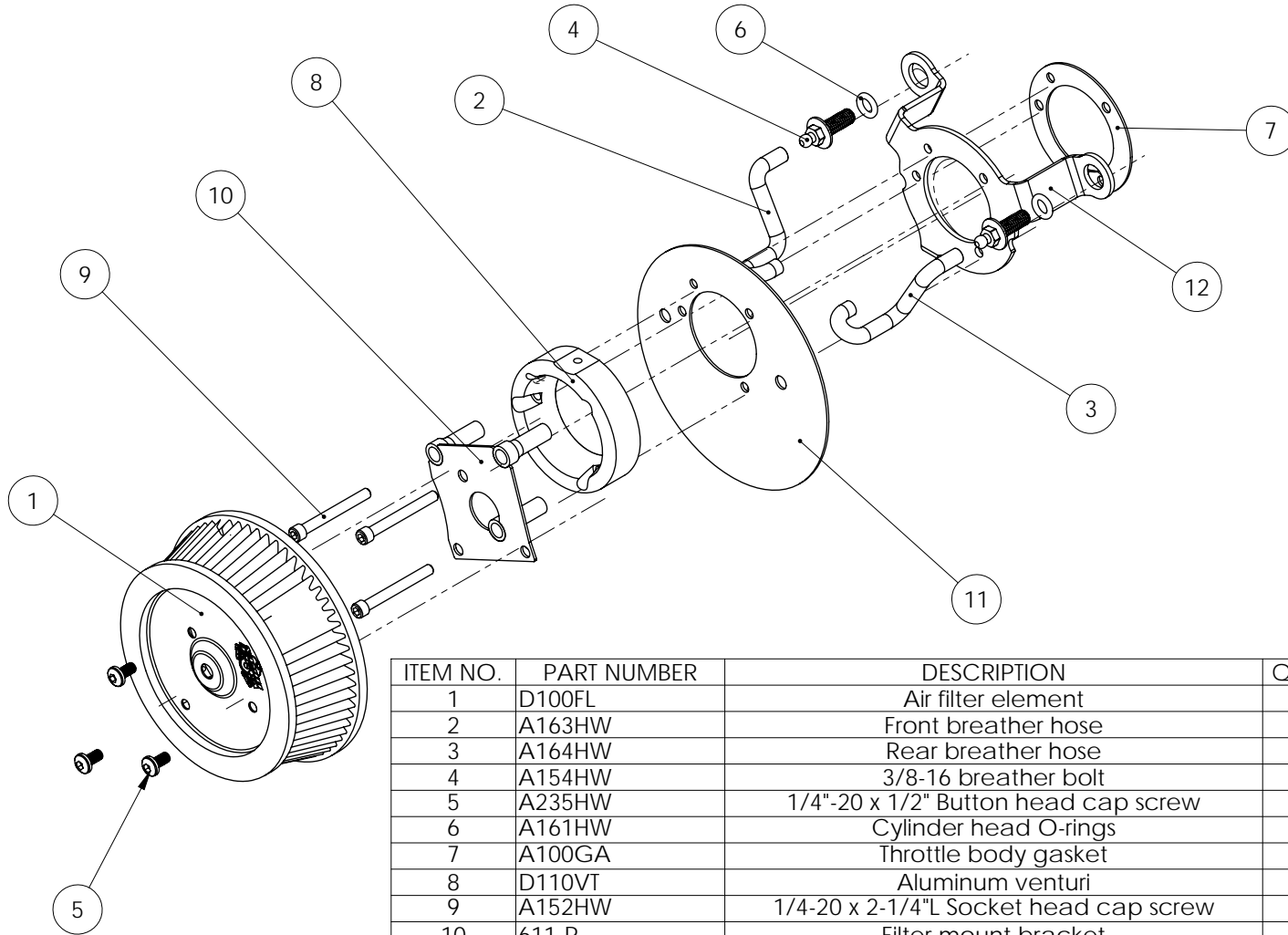
Take the guess work out of fuel injection with Fuelpak Fuel Management. Contact your local dealer or call (562) 921-0071 to order. Visit [fuelpakfi.com](http://fuelpakfi.com) for more information.

Fuelpak is intended for racing or off-highway use only, and is not legal for sale or use in California on pollution-controlled vehicles.

D100FL  
71013  
71015

Replacement Air Filter Element  
Chrome Skullcap Cover  
Black Skullcap Cover

**EXPLODED VIEW DIAGRAM**



ITEM NO.	PART NUMBER	DESCRIPTION	QTY.
1	D100FL	Air filter element	1
2	A163HW	Front breather hose	1
3	A164HW	Rear breather hose	1
4	A154HW	3/8-16 breather bolt	2
5	A235HW	1/4"-20 x 1/2" Button head cap screw	3
6	A161HW	Cylinder head O-rings	2
7	A100GA	Throttle body gasket	1
8	D110VT	Aluminum venturi	1
9	A152HW	1/4-20 x 2-1/4"L Socket head cap screw	3
10	611-P	Filter mount bracket	1
11	612-P	Backing Plate	1
12	613-P	Carburetor/Throttle body mount bracket	1

**WARRANTY**

Vance & Hines products are warranted against defects in material and workmanship for a period of 90 days from the date of purchase from an authorized dealer. This warranty does not cover discoloration of chrome finishes. This warranty is limited to the repair or replacement of a product proven to be defective from normal use. Vance & Hines products are designed to fit and operate on OEM motor and chassis. This warranty does not cover any product subject to abuse, misuse, improper installation or modification.

## FUEL MANAGEMENT

**GET THE MOST OUT OF YOUR RIDING EXPERIENCE...**

AN AFTERMARKET EXHAUST SYSTEM IS ONLY YOUR FIRST STEP, NOW YOU NEED FUEL MANAGEMENT.

### **NOW YOU NEED FUELPAK.**

Your fuel injected Harley-Davidson® is equipped with an ECU (electronic control unit) that's programmed to deliver fuel to the motor based on an air/fuel ratio for a stock air filter and stock exhaust system. When you install a performance exhaust system, your airflow changes, so you need a fuel management system that adjusts your air/fuel ratio to match the changes. That fuel management system is Fuelpak. Fuelpak adds and takes away fuel, allowing for a more precise range of refinement in your air/fuel ratio. Get the perfect fuel management combination with your Vance & Hines exhaust system, get Fuelpak. For more information visit the tuning center at [fuelpakfi.com](http://fuelpakfi.com)

NOTICE: Fuelpak is intended for racing or off-highway use only, and is not legal for sale or use in California on pollution-controlled vehicles.



**MORE POWER : LESS NOISE**

**13861 ROSECRANS AVENUE / SANTA FE SPRINGS, CA 90670**  
**SALES: (562) 921-5388 / TECHNICAL: (562) 926-5291 / FAX: (562) 802-0110**  
**VANCEANDHINES.COM**