



DYNA LongShot Exhaust System Part #17805

Congratulations, you have purchased the finest exhaust system available for your motorcycle. Your VANCE & HINES exhaust system is designed and crafted for maximum performance, a perfect fit, a great sound and unbeatable style! Please follow the installation instructions below and if you have any questions, feel free to call our technical help line (562) 926-5291.

REMOVING THE STOCK EXHAUST SYSTEM

1. Loosen the heat shield clamps on both front and rear exhaust pipes.
2. Remove the two mounting nuts from each head pipe, located at the cylinder head.
3. Remove both front and rear head pipe clamp bolts.
4. Remove the entire exhaust system and set it aside.
5. Carefully remove the flanges and circlips from the stock exhaust system using snapping pliers.
Note: If circlips look bent or twisted replace them with new circlips.
6. Remove the rear head pipe clamp bracket from the transmission cover. Save the bolts, two will be reused.

INSTALLING YOUR NEW VANCE & HINES EXHAUST SYSTEM

1. Locate the muffler mounting bracket (stamped 239). Mount the bracket to the engine case, to the rear of the transmission cover using the two stock bolts. Refer to figure 1. Tighten the bolts at this time. Install the mounting bar (supplied) to the transmission housing using the stock hardware.
Refer to figure 1. Note: The mounting bracket should mount flat against the transmission housing. Some motorcycles use a stud to mount the stock rear head pipe clamp, be sure to remove the stud from the transmission housing and replace it when mounting the bracket, this will insure that the bracket is flat against the housing.
2. Locate the muffler clamp bracket (stamped 240). Install the bracket to the outside of bracket 239, using the 5/16" x 1 1/4" bolt and 5/16" flat washer (supplied). Refer to figure 1. Leave the bracket loose, it will be adjusted later.
3. Unscrew all of the hose clamps (supplied) until they are completely loose. Feed the tail end of the hose clamp into the clips on the inside of both heat shields. **Note:** The screw end of the hose clamp should be accessible, but not visible when pipe is mounted on the bike.
4. Install the circlips and flanges from the stock system onto both the new head pipes.
5. Slide the new pipe clamp (supplied) onto the muffler end of the front head pipe. Position the clamp in the approximate mounting location on the pipe.
6. Place the front head pipe into the heat shield, wrap the hose clamp around the head pipe and give the screw three to four turns, leaving heat shield loose on the head pipe. Repeat this step with the rear head pipe.
7. Check condition of stock exhaust gaskets. Replace if worn. Vance & Hines recommends you replace your gaskets with Screamin' Eagle gaskets, part number 17048-98.

8. Install the front head pipe into the exhaust port using the stock nuts, but leave them loose at this time.
9. Install the front head pipe clamp to the engine where the stock clamp mounted using the 3/8"x 1" bolt, nut and washers (supplied).
10. Install the rear head pipe using the stock nuts, but leave them loose at this time.
11. Install one muffler clamp over the front (notched end) of each muffler.
12. Slip one muffler onto the rear head pipe. Slide one dog bone shaped nut plate under the bracket that is welded to the backside of the muffler and attach the muffler to the mounting bar using two of the 5/16" flange head bolts (supplied), but leave them loose at this time.
13. Attach the rear muffler clamp to the top side of the 240 bracket using the 5/16"x 1 1/2" bolt, two washers and a lock nut (supplied). Refer to figure 1
14. Slip the other muffler onto the front head pipe. Slide one dog bone shaped nut plate under the bracket that is welded to the backside of the muffler and attach the muffler to the mounting bar using two of the 5/16" flange head bolts (supplied), but leave them loose at this time.
15. Align the mufflers so they're parallel when viewing from the right side of the bike, and tighten the 5/16" flange bolts on both mufflers.
16. Adjust the mufflers and/or heat shields so they match flush where the two parts meet. Refer to figure 2.
17. Tighten the two nuts on both the front and rear head pipes.
18. Tighten the two muffler clamp bolts.
19. Tighten the bolt on the rear muffler clamp bracket.
20. Tighten the bolt on the front head pipe clamp.
21. Rotate the hose clamps on both heat shields so they're accessible with a screw driver and tighten each of them evenly.
22. **Be sure to tighten all hardware before starting your motorcycle.**

RE-JETTING INSTRUCTIONS

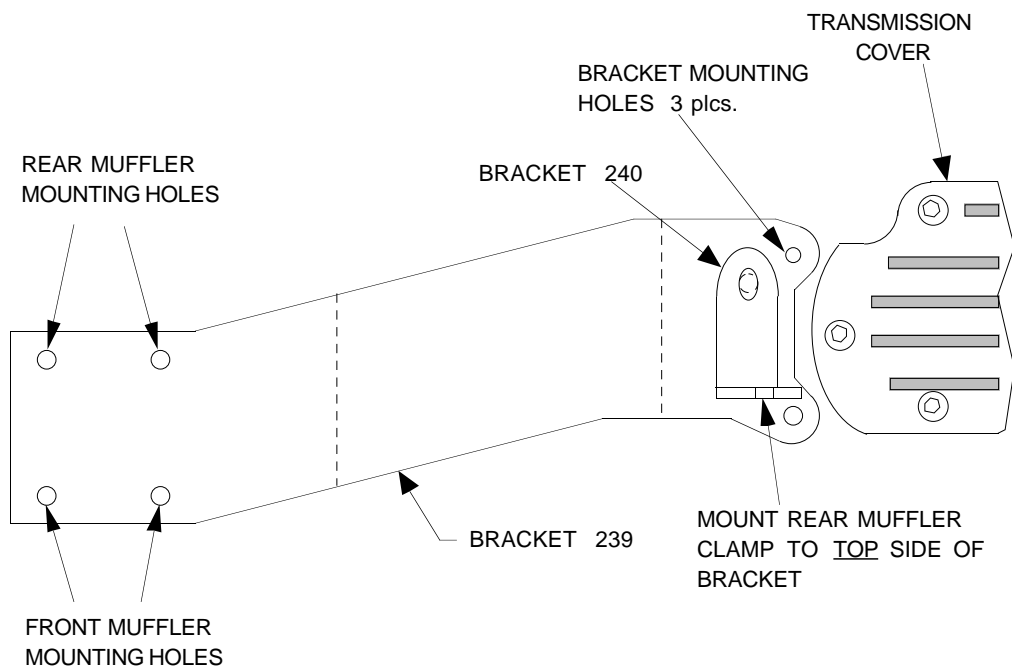
Re-jetting the carburetor will result in realizing the "full" potential of this performance exhaust system. Vance & Hines offers jet kits for most applications. For fuel injected models, we recommend the use of Vance & Hines Fuelpak part number 61005.

PLEASE NOTE:

Every effort is made for Vance & Hines Exhaust Systems to provide improved cornering clearance. However, due to design and space limitations on some motorcycle models, ground and cornering clearance may not be improved and in some cases may be reduced. Be sure to follow proper installation instructions.

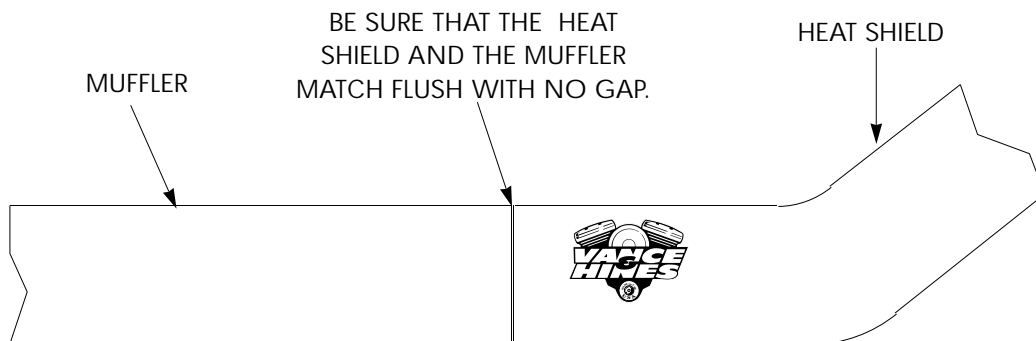
WARNING!

VANCE & HINES DOES NOT WARRANTY ANY CHROME PRODUCTS AGAINST DISCOLORATION.



VIEW FROM RIGHT HAND SIDE OF MOTORCYCLE

FIG. 1



VIEW FROM RIGHT HAND SIDE OF MOTORCYCLE

FIG. 2

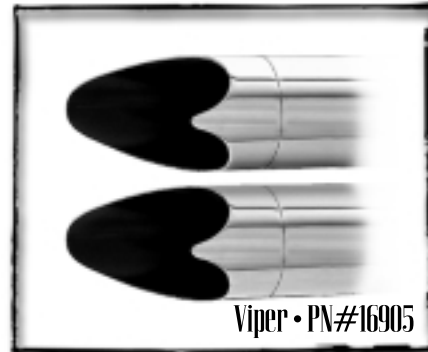
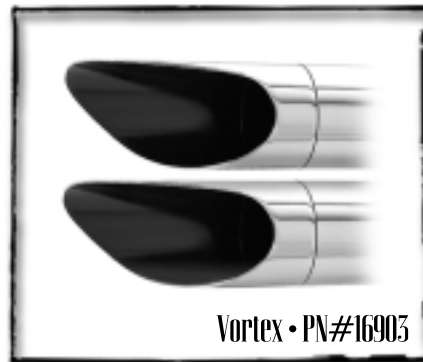
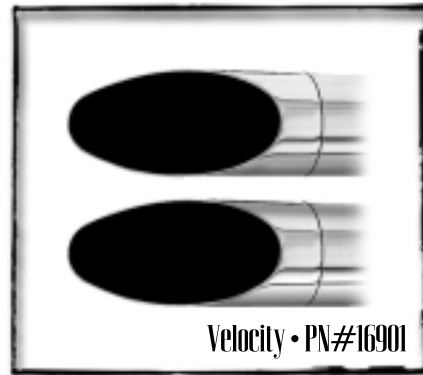
Option

On fuel injected models this system will work with Vance & Hines Fuelpak part number 61005. Order it today from your dealer or go to vanceandhines.com for more information.



For information on other Vance and Hines products visit our web site at <http://www.vanceandhines.com>

Customize Your Longshots!



Optional Hot-Tips



Contact your local Vance & Hines dealer for more information!
www.vanceandhines.com